

Cube CUX11030-WKC Stainless Steel Workcenter Kitchen Sink

Cube ALL-IN workcenter supports your entire food preparation creating your own modular, innovative and design oriented workstation.

FEATURES

- Accessories Included: All-In Accessory System 3, Bottom Sink Grid, Strainer Basket
- Deep Capacity: Bowl: A large deep bowl makes it easy to clean cookware items and minimizes splashing, offering the form and function you expect from your sink.
- Easy to Clean: the resilient Pearl finish will stand up to heavy everyday use.
- Efficient Drain: The pitched bottom creates efficient draining, and the rear drain placement provides additional storage below the sink.
- Undermount Installation: Fitted underneath the counter, it gives an edgeless finish that is easy to clean.

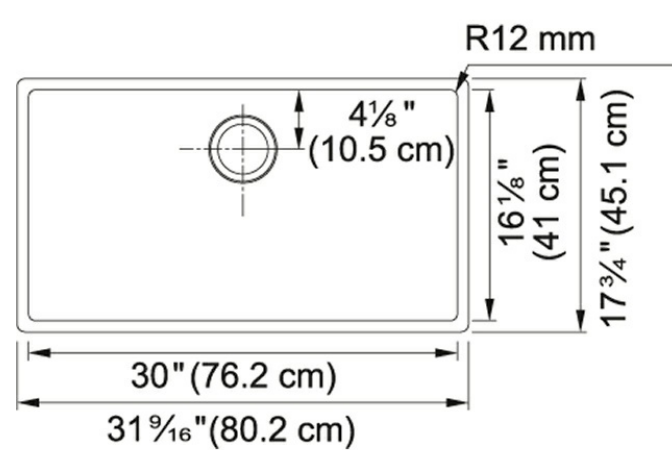
Product Picture



Product Dimensions

Length overall	31 9/16"
Width overall	17 3/4"
Length of large bowl	30"
Width of large bowl	16 1/8"
Depth of large bowl	9"
Minimum Cabinet Size	36"

Technical Drawing



General Information

Type of Material	18 Gauge Stainless Steel
Number of Bowls	1
Faucet Hole	0
Installation Clips	Yes
Cut-Out Template	Yes

Article Numbers

FUN#	122.0672.231
------	--------------

